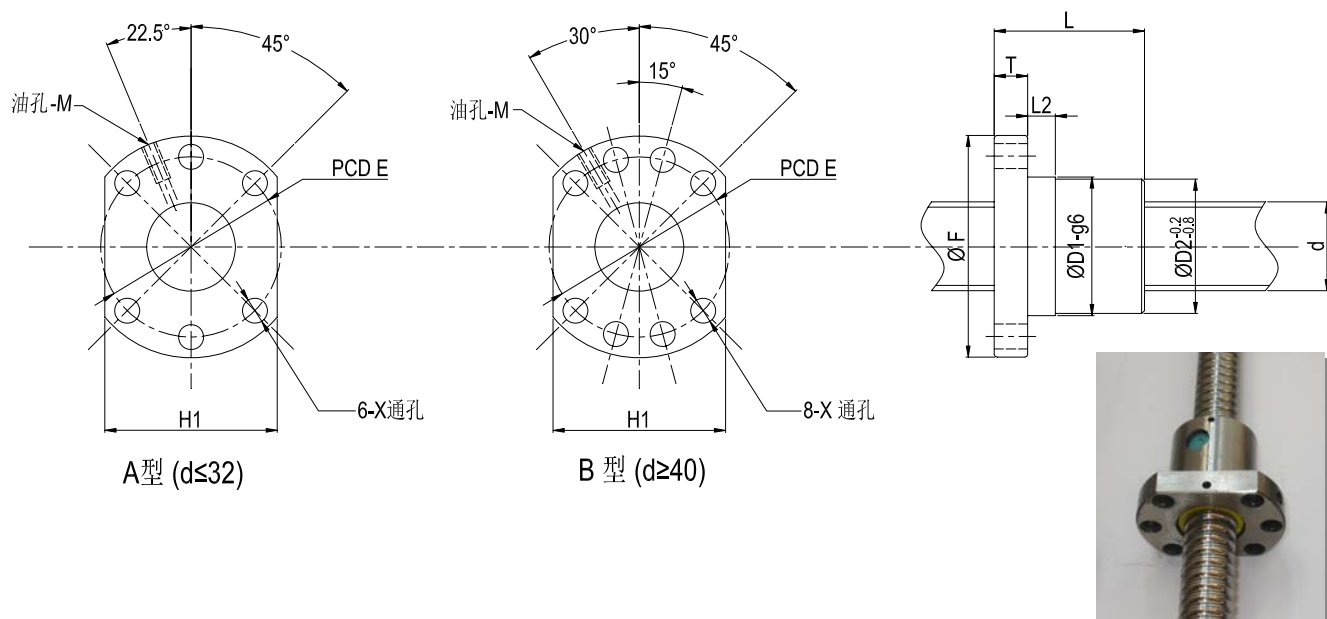


**SFU-内循环, 单螺母, 带法兰, DIN 69051 A 型, B 型**


单位: mm

产品型号	公称直径	导程	滚珠直径	螺母尺寸				法兰尺寸					类型	M	额定载荷 (KN)	
				D1	D2	L	L2	F	T	H1	E	X			动载	静载
SFU1204-3	12	4	2.381	22	21.5	35	10	42	8	30	32	4.8	A	M6	4.0	6.7
SFU1604-3	16	4	2.381	28	\	36	\	48	10	40	38	5.5	A	M6	4.4	9.2
SFU1605-3	16	5	3.175	28	27.8	42	10	48	10	40	38	5.5	A	M6	7.7	13.2
SFU1610-2	16	10	2.778	28	27.8	42	10	48	10	40	38	5.5	A	M6	7.4	12.8
SFU2005-3	20	5	3.175	36	35.8	42	10	58	10	44	47	6.7	A	M6	8.6	17.1
SFU2010-2	20	10	3.175	36	35.8	52	10	58	10	40	47	6.7	A	M6	8.4	16.8
SFU2010-3	20	10	3.175	36	35.8	42	10	58	10	40	47	6.7	A	M6	8.4	16.8
SFU2504-3	25	4	2.381	40	\	40	\	62	10	48	51	6.6	A	M6	9.1	26.5
SFU2505-3	25	5	3.175	40	39.5	42	10	62	10	48	51	6.6	A	M6	9.8	23.0
SFU2510-3	25	10	4.763	40	39.5	85	16	62	15	48	51	6.8	A	M6	8.7	20.5
SFU3205-3	32	5	3.175	50	49.5	55	10	80	12	62	65	9.0	A	M6	16.9	51.0
SFU3210-3	32	10	6.35	50	49.5	74	16	80	12	62	65	9.0	A	M6	26.1	53.1
SFU4005-5	40	5	3.175	63	62.5	55	10	93	14	70	78	9.0	B	M8	19.0	66.2
SFU4010-3	40	10	6.35	63	62.5	71	16	93	14	70	78	9.0	B	M8	30.1	71.0
SFU4020-2	40	20	6.35	63	62.5	94	20	93	14	70	78	9.0	B	M8	40.3	98.4
SFU4020-3	40	20	6.35	63	62.5	144	20	93	14	70	78	9.0	B	M8	40.3	98.4
SFU5010-4	50	10	6.35	75	74.5	95	16	110	16	85	93	11.0	B	M8	53.1	155.0
SFU6310-5	63	10	6.35	90	\	97	\	125	18	95	108	11.0	B	M8	60.7	206.0
SFU8010-5	80	10	6.35	105	\	101	\	145	20	110	125	13.5	B	M8	66.6	265.0